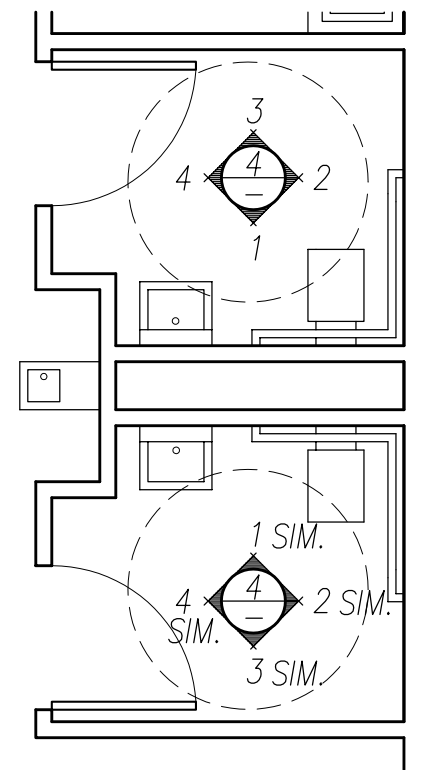
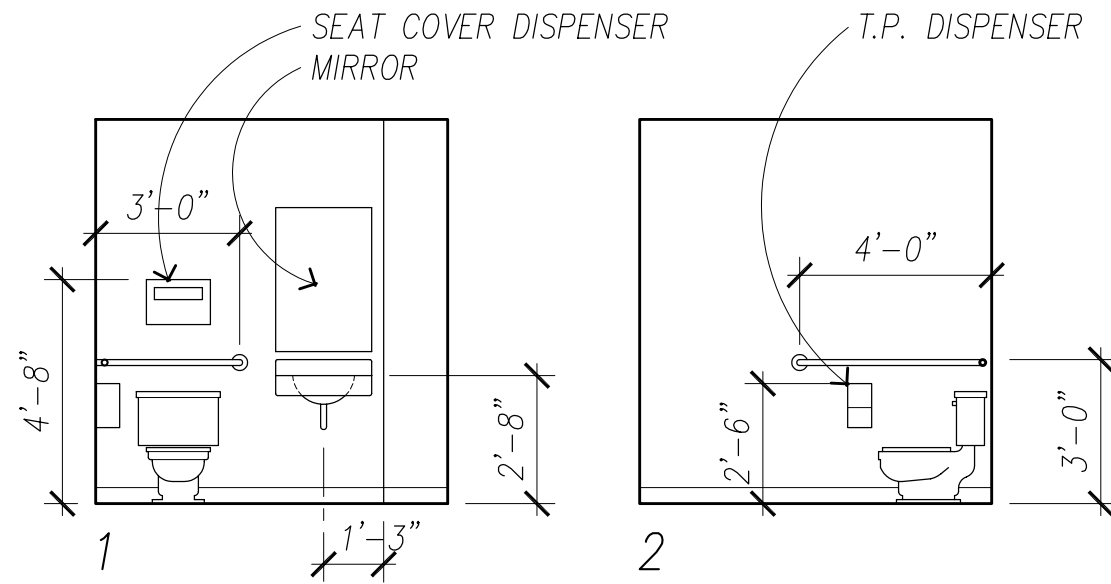
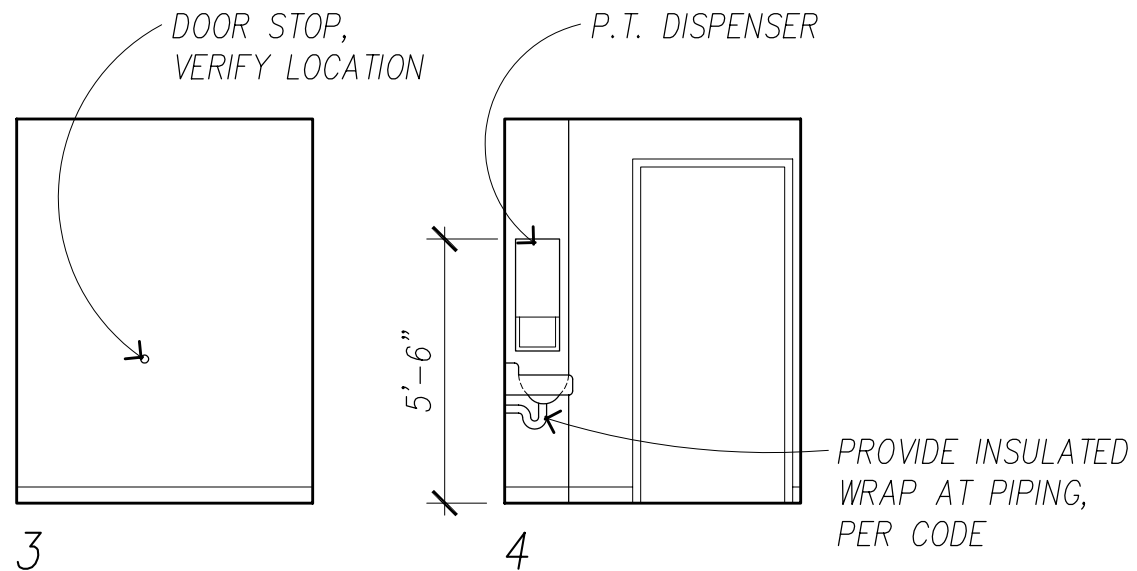


1 1ST FLOOR RESTROOMS  
1/4" = 1'-0"



2 2ND FLOOR RESTROOMS  
1/4" = 1'-0"



4 INTERIOR ELEVATIONS  
1/4" = 1'-0"