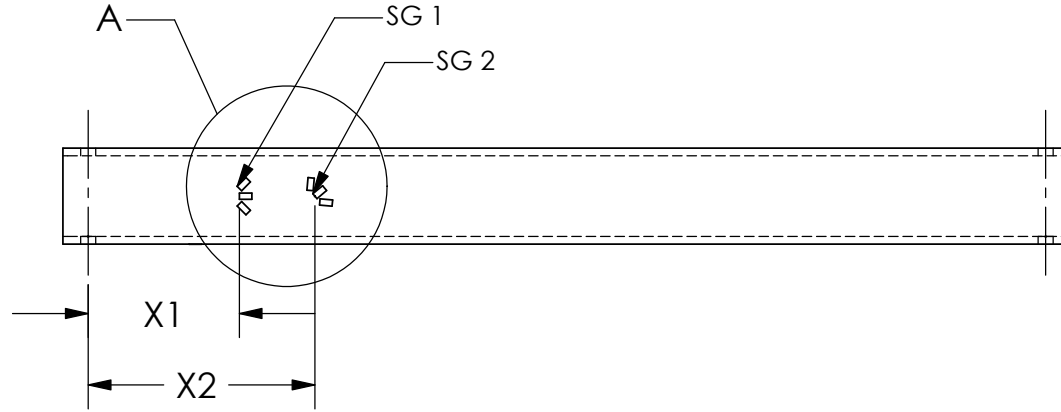


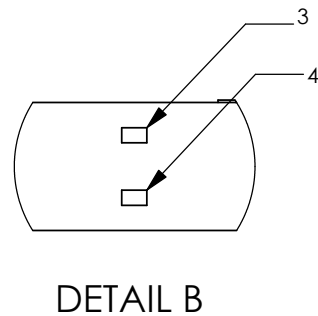
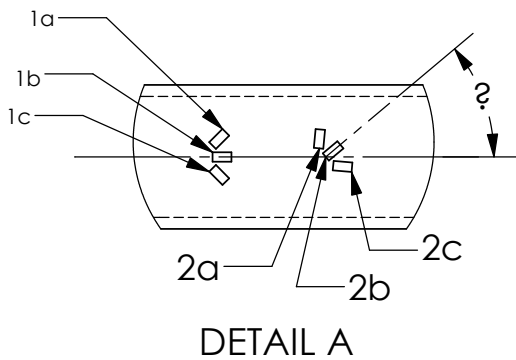
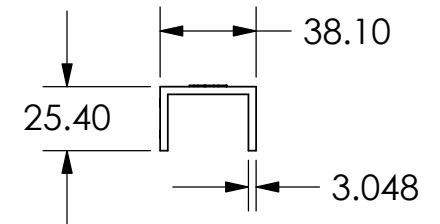
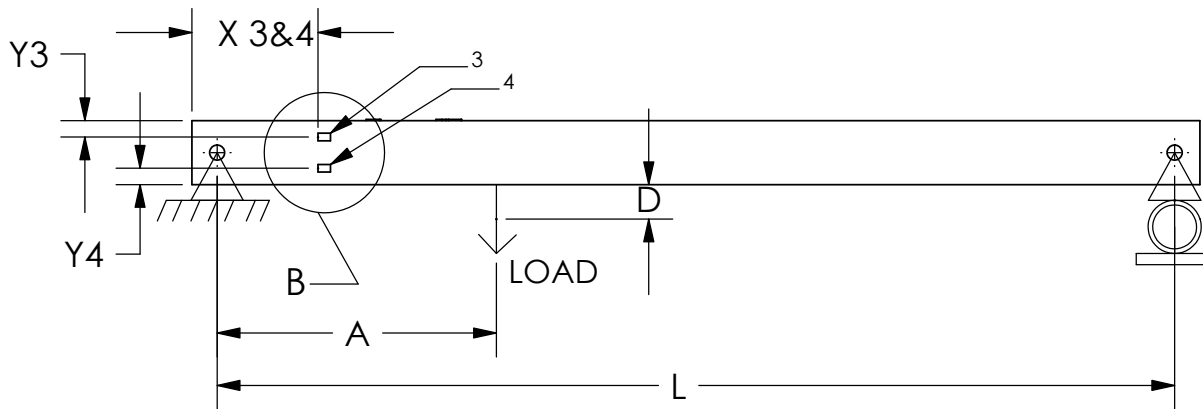
NOTES:

1. ALL UNITS IN MM



L	A	X1	X3	X3&4
		Y3	Y4	

Measurement	1a	1b	1c	
0				
1				
2				
3				
Measurement	2a	2b	2c	
0				
1				
2				
3				
Measurement	3	4	Load Cell	D
0				
1				
2				
3				



TITLE:		ME354 BEAM LAB	
		C-CHANNEL	
SIZE	REVISION DATE		
<b>A</b>	DR - 01/06/06		