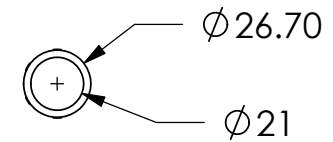
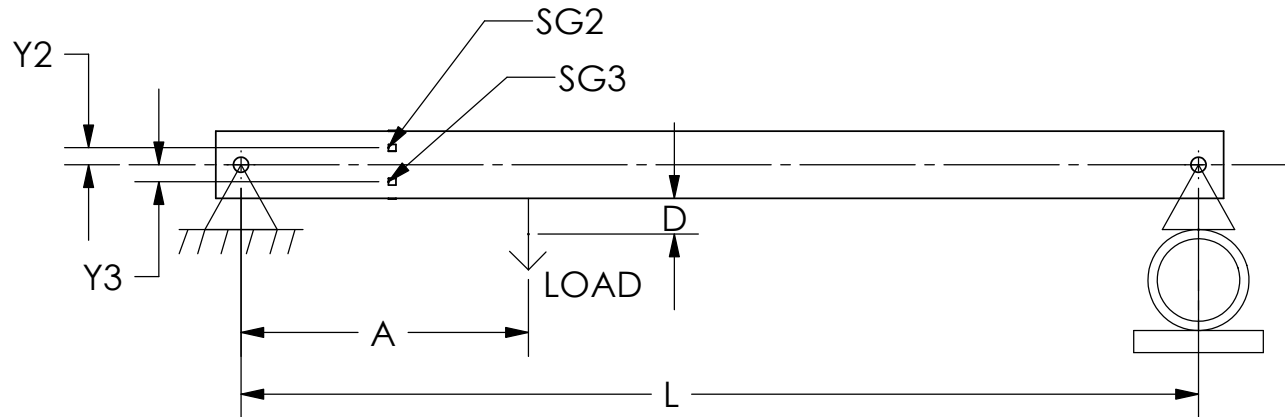
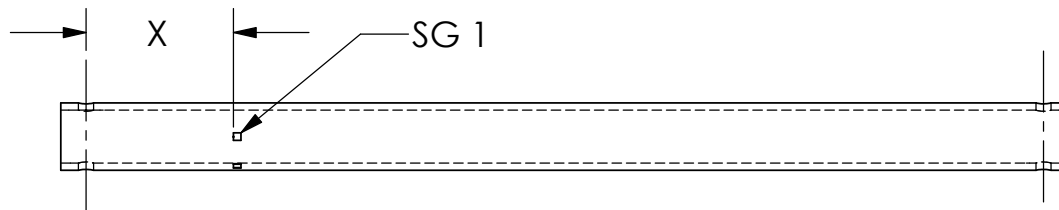


NOTES:

1. ALL UNITS IN MM



L	A	X	Y2	Y3

Measurement	9a (Axial)	9b (Hoop)	10a (Axial)	10b (Hoop)
0				
1				
2				
3				

Measurement	11a (Axial)	11b (Hoop)	12a (Axial)	12b (Hoop)
0				
1				
2				
3				

Measurement	Load Cell	D
0		
1		
2		
3		

TITLE: ME354 BEAM LAB  
 ROUND TUBE

SIZE **A** REVISION DATE  
 DR - 01/06/06