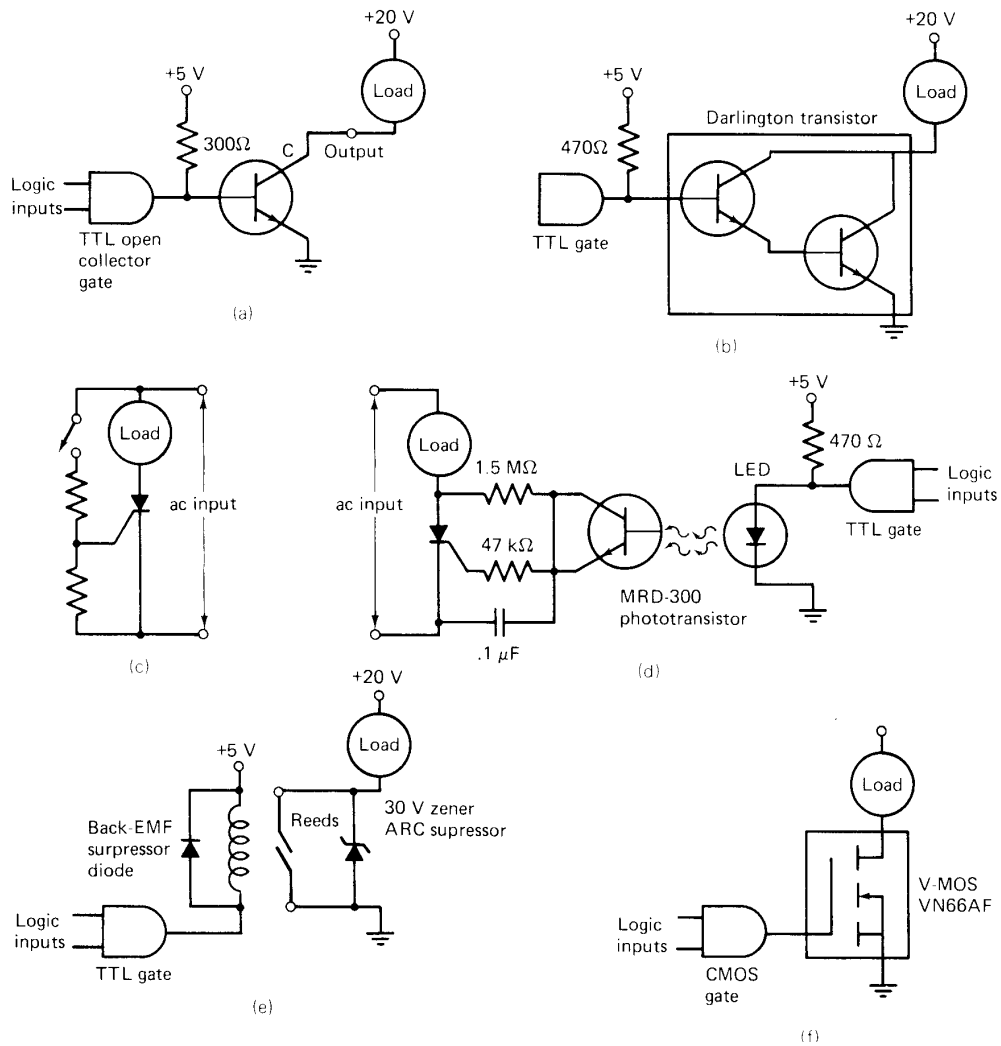


High-Power Interface Devices



- a) Simple transistor driver.
- b) Darlington driver.
- c) SCR driver.
- d) Optically isolated SCR.
- e) Reed relay.
- f) VMOS driver.