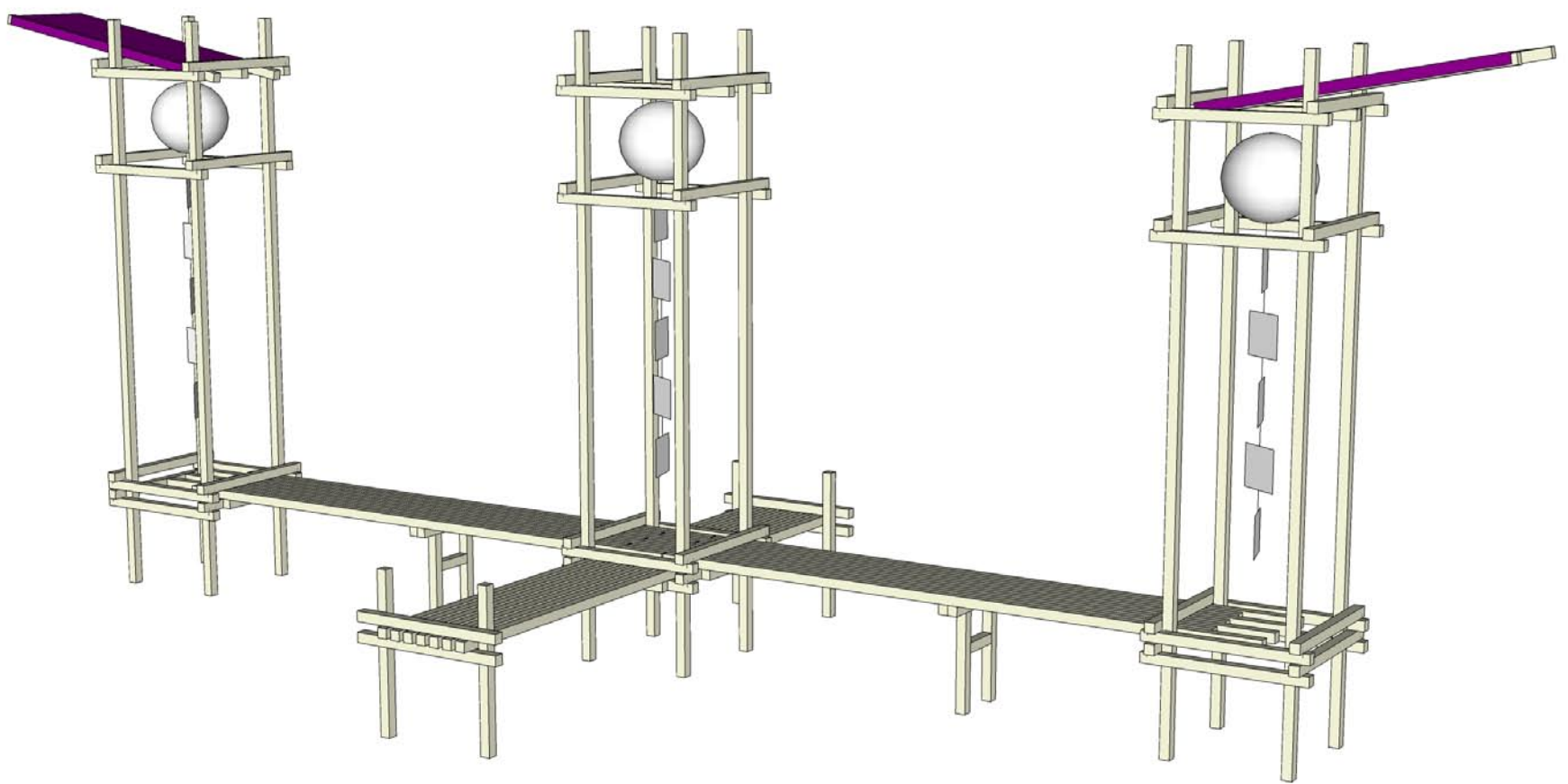


Project: The Great Seat Wall

Night Market Furniture Installation Guide



Design Concept:

The Great Seat Wall is a semi-transparent fully modular seating and storytelling installation.

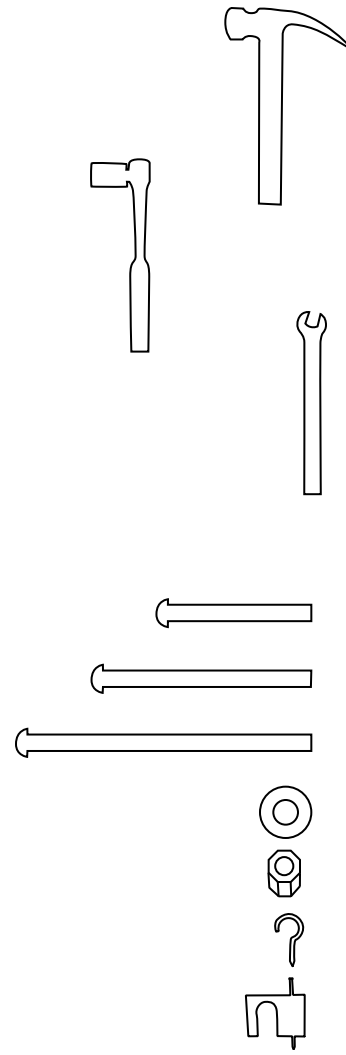
The piece is composed of 2x2s in two, four, and eight feet lengths. The pieces can be taken apart and packed up in a partial break down for quick assembly, or full breakdown for long-term storage.

The story we have chosen to tell is of the moon, but the stories can easily be changed for future users. We chose the moon because of its great significance in Asian cultures and that it is the only form of natural light visible at a night market and we want to bring it closer to earth.

A collaborative project of Cultural Landscape Studio (Department of Landscape Architecture, University of Washington) and WILD Youth Program (International District Housing Alliance). Instructor: Jeff Hou; Youth Facilitators: Guihui Yuan, Carmen Cruz; WILD Program: Joyce Pisanont, Alan Lee, Amalia Gonzalez-Kahn. Autumn 2006. Design Team: Bridget Darrow, Kent Straub-Jones, Henry Situ, Man Lam

3	Assembly Guidelines
4	Tower Assembly
5	Tower Corner Assembly
6	Seating Attachment
7	Connection Details
8-9	Assembly of Story Telling Component
10	Temporary & Permanent Storage
11	Distributor List

[Insert annotations and notes where appropriate (12 pt)]



TOOLS NEEDED:
CLAW HAMMER

RATCHET W/ 9/16" BIT

3/8" WRENCH

METAL PIECES:

150 3/8"-3.5" BOLT

18 3/8"-5" BOLT

12 3/8"-7"

200 WASHERS

200 NUTS

3 HOOKS

25 CORD HOOKS

LOOSE LUMBER:

3 2X2-2'-LANTERN
HOLDERS

6 2X2-2'-SUPPORT

4 2X2-2'-BENCH
HOLDERS

2X2-2'-GENERAL
USE

4 2X2-4'-CANOPY
POLES

12 2X2-8'-TOWER
POLES

PRE-FAB PIECES

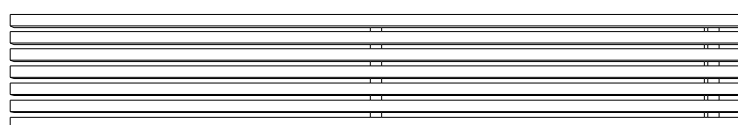
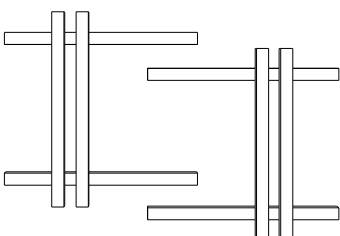
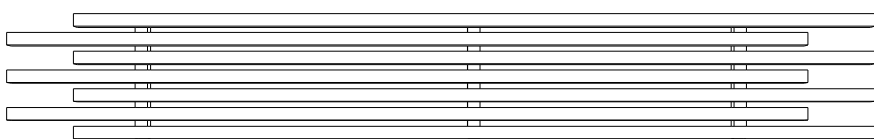
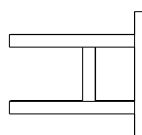
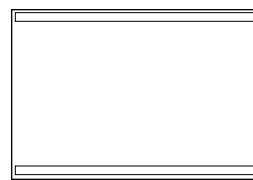
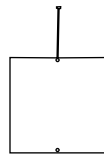
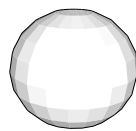
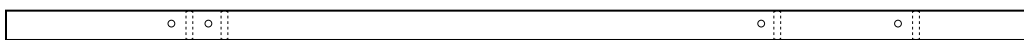
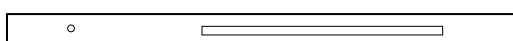
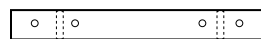
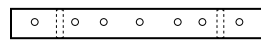
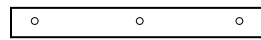
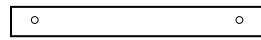
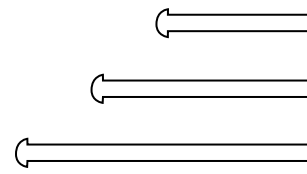
3 LAMPS & CORD

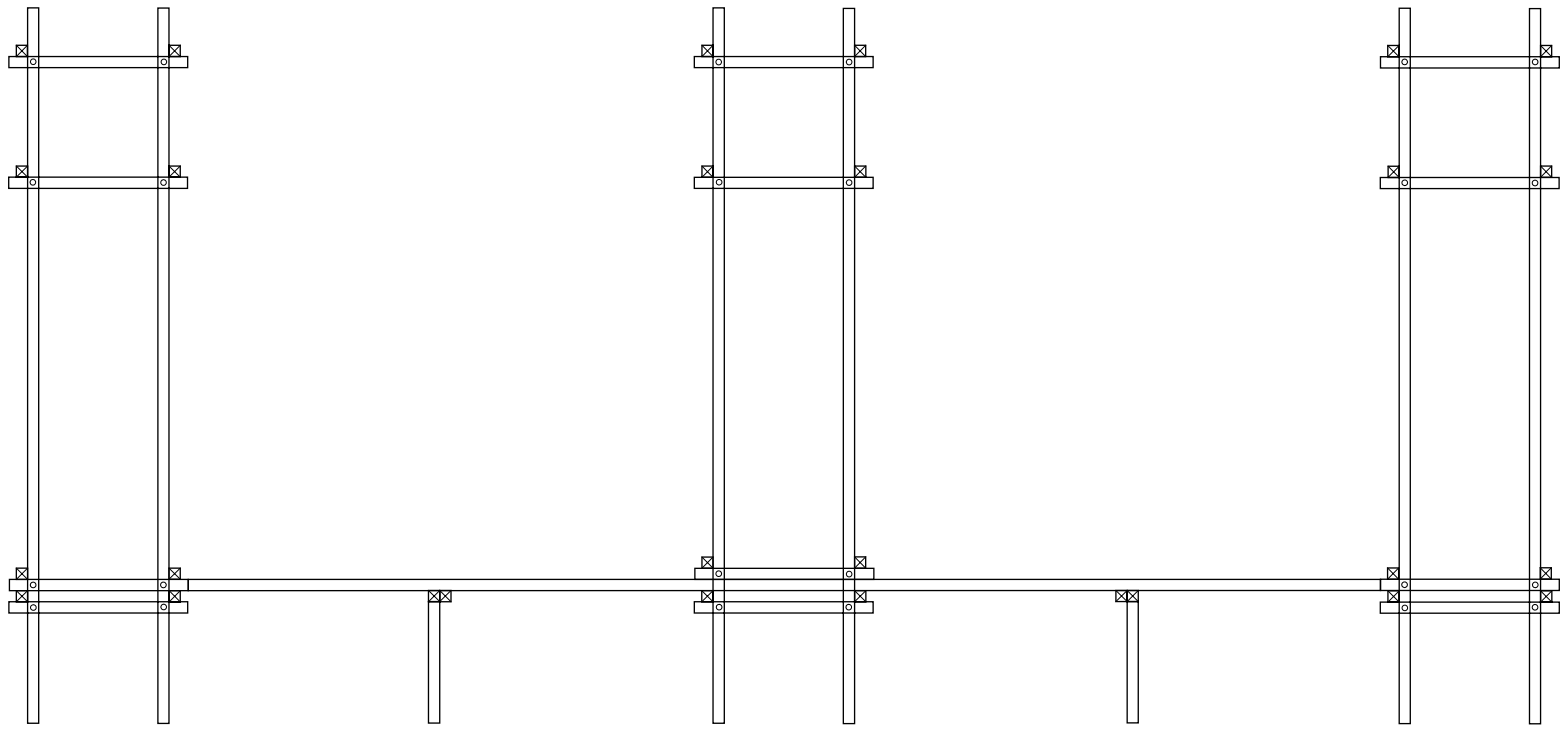
15 HANGING TILES

2 FABRIC CANOPY

2 LONG BENCH W/
A-SUPPORTS

1 MIDDLE BENCH
W/ H-SUPPORTS



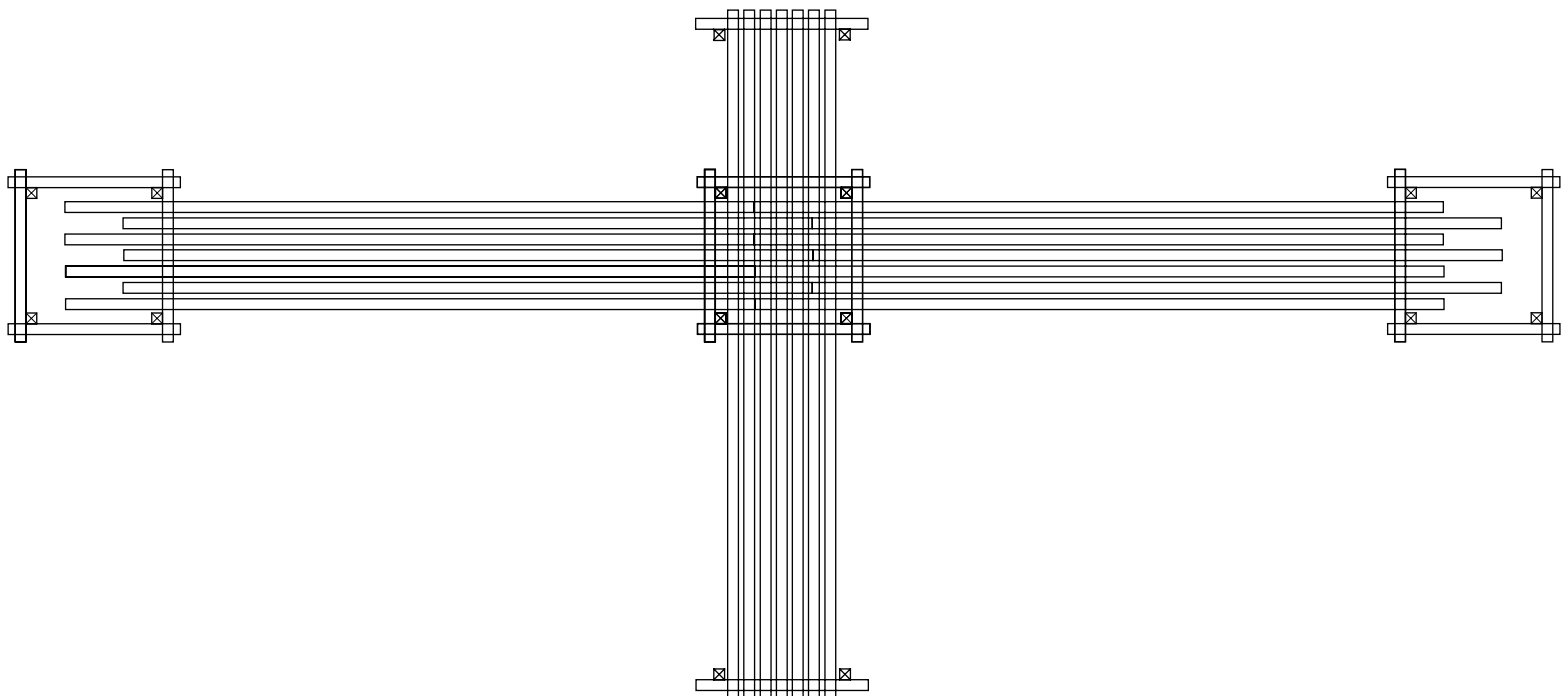


assemble the four 2' poles in squares and then attach them to the column.

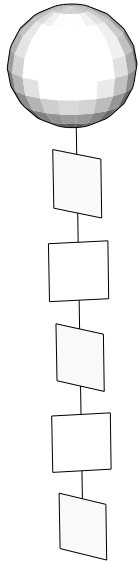
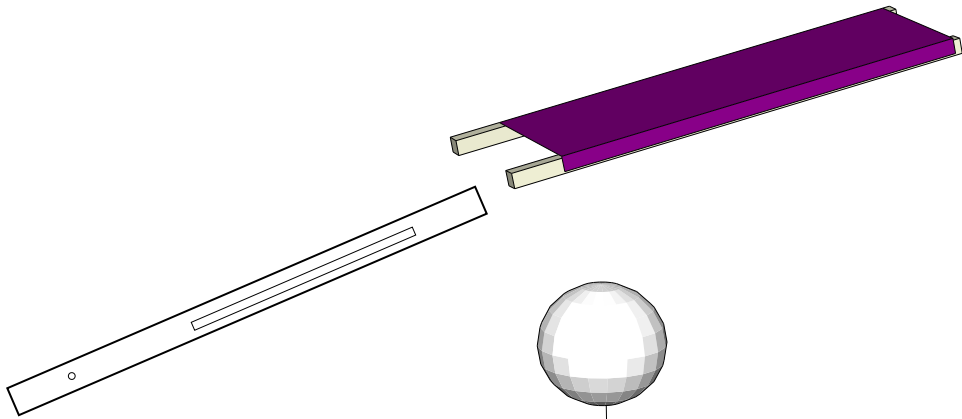
the low holes on the 8' columns face forward

the resulting bench height should be 16 inches

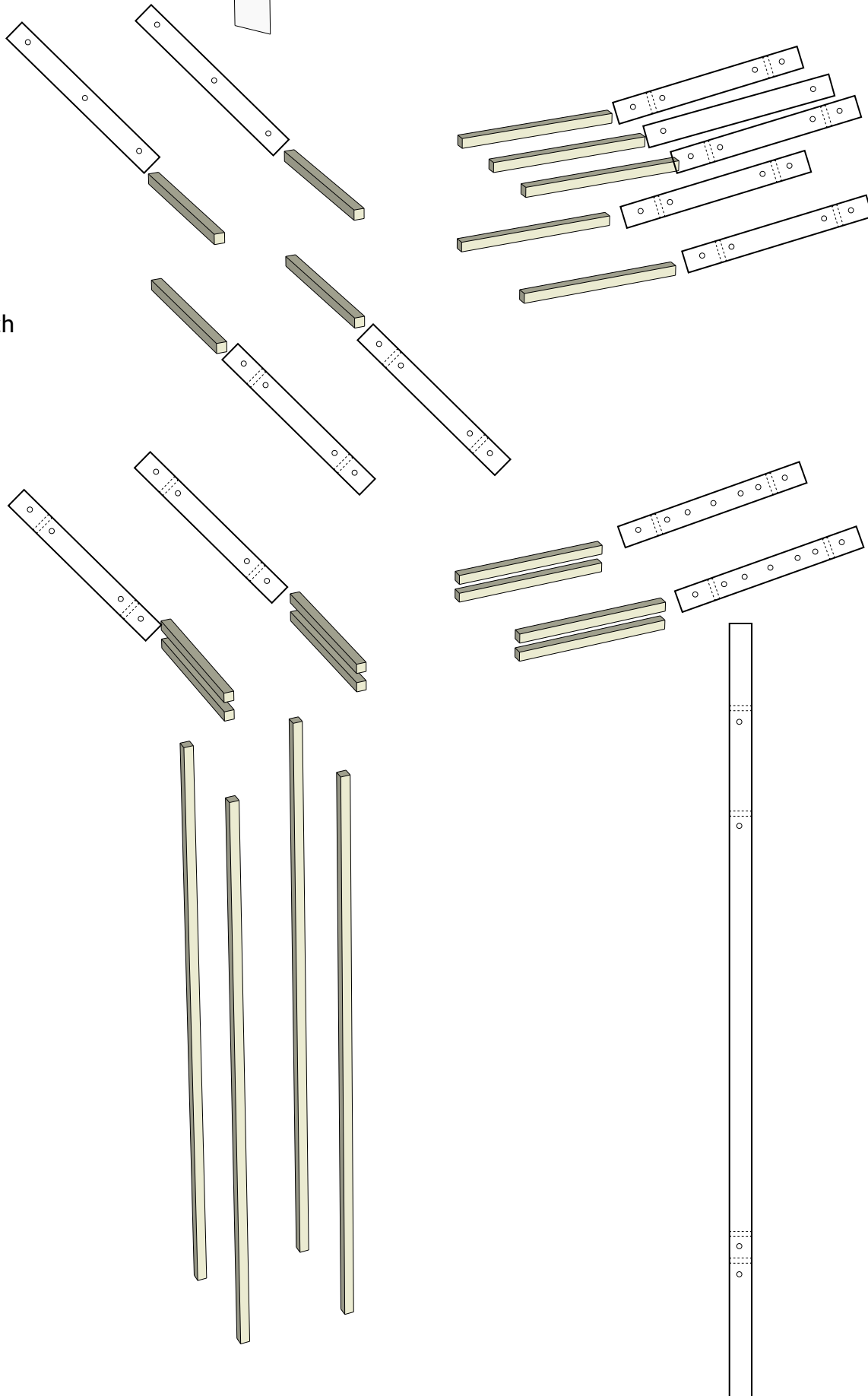
use the 3/8" wrench on the bolt below the carriage bolt head to force nuts that get tight



1

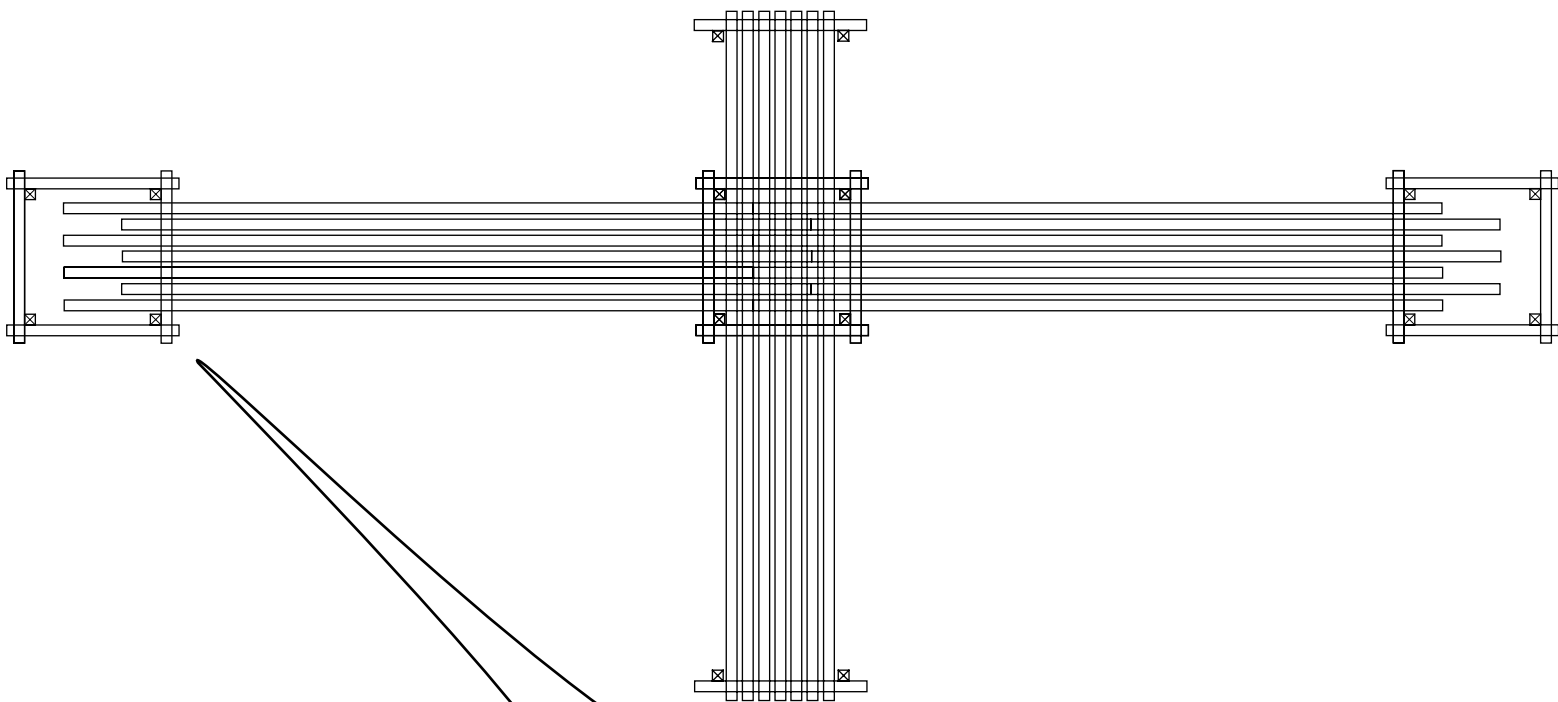
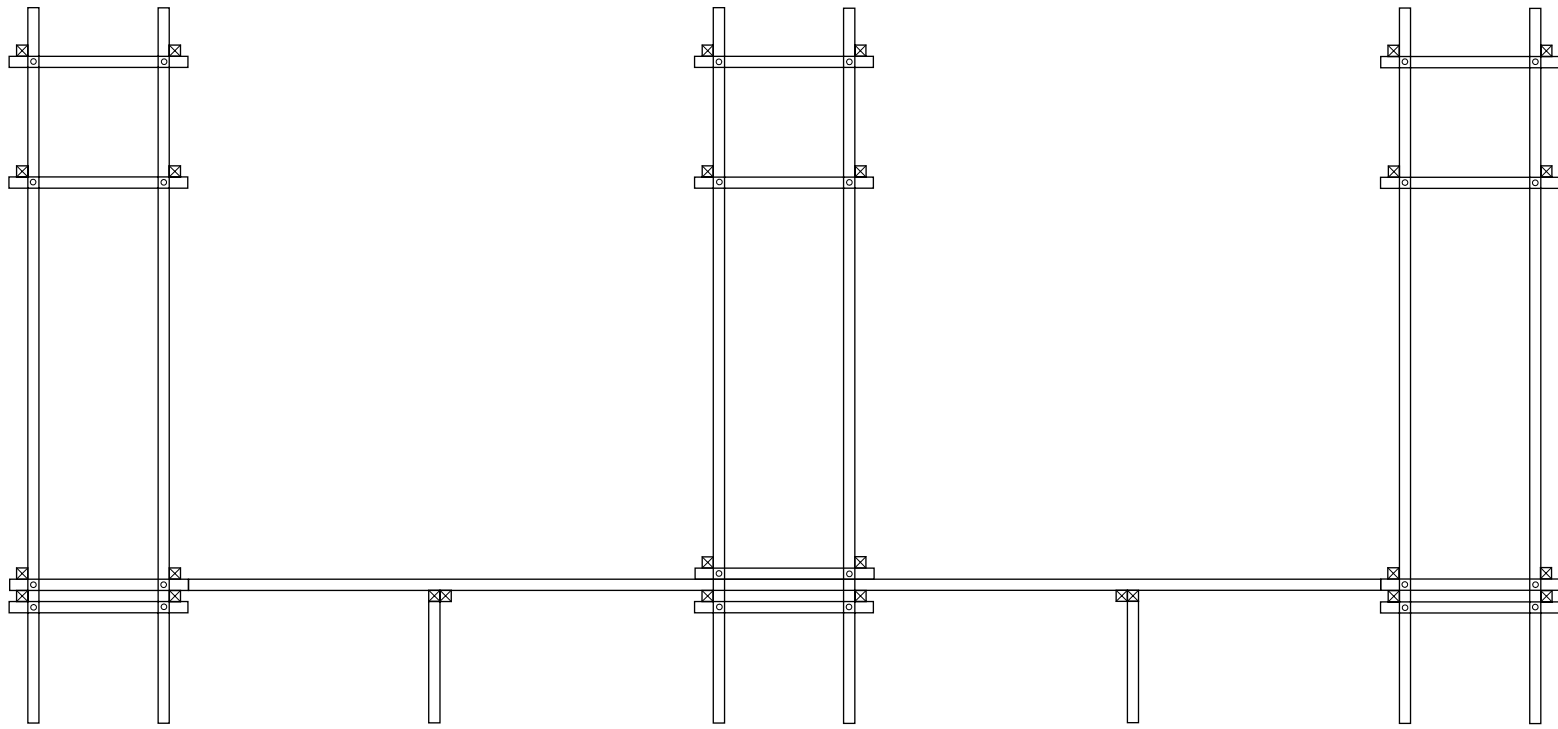


the images line up
with the pieces & the
holes

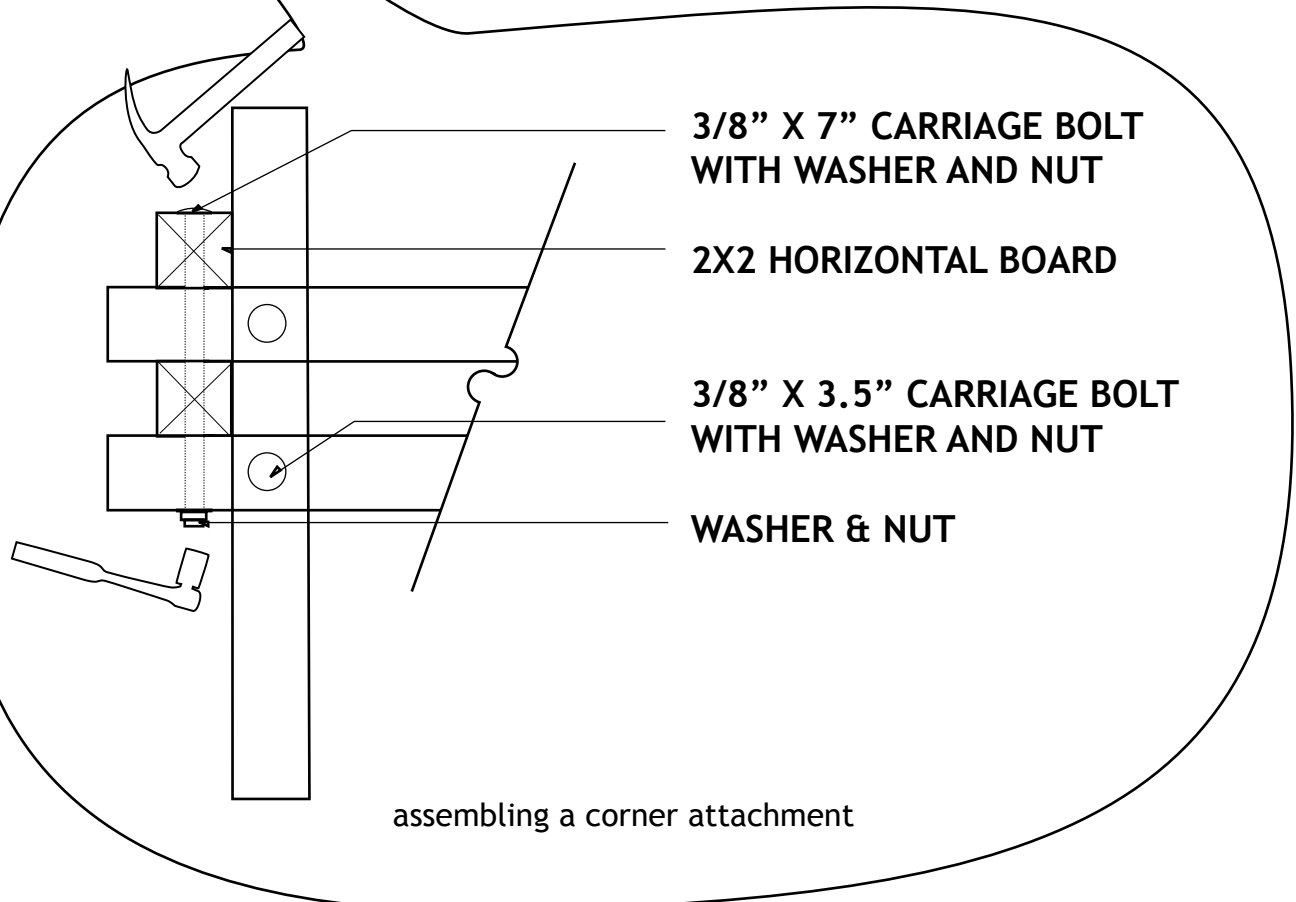


assemble the four 2'
poles and then attach
them to the column

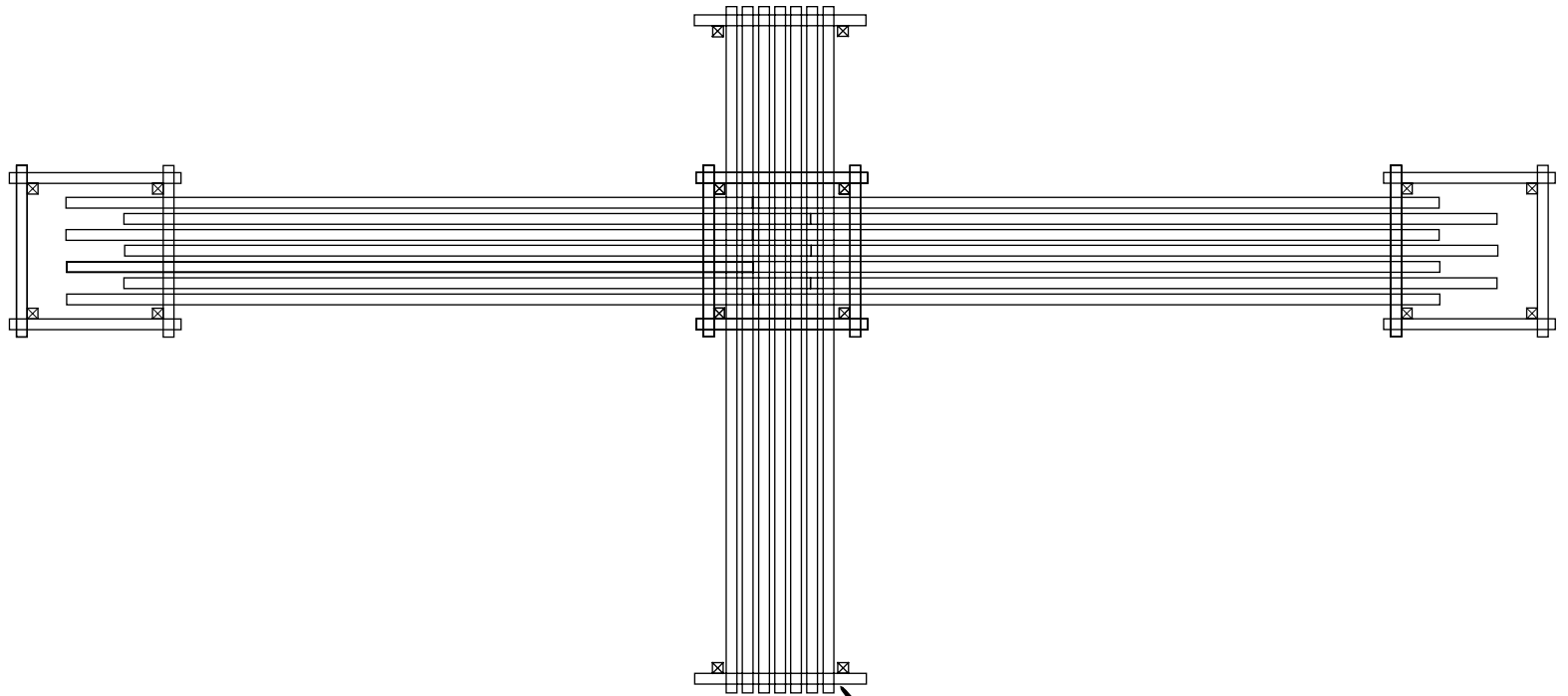
2



hammer the bolts lightly and once through use the bolt and washer to crank them down, ratchet doesn't work on the 7" bolts



3



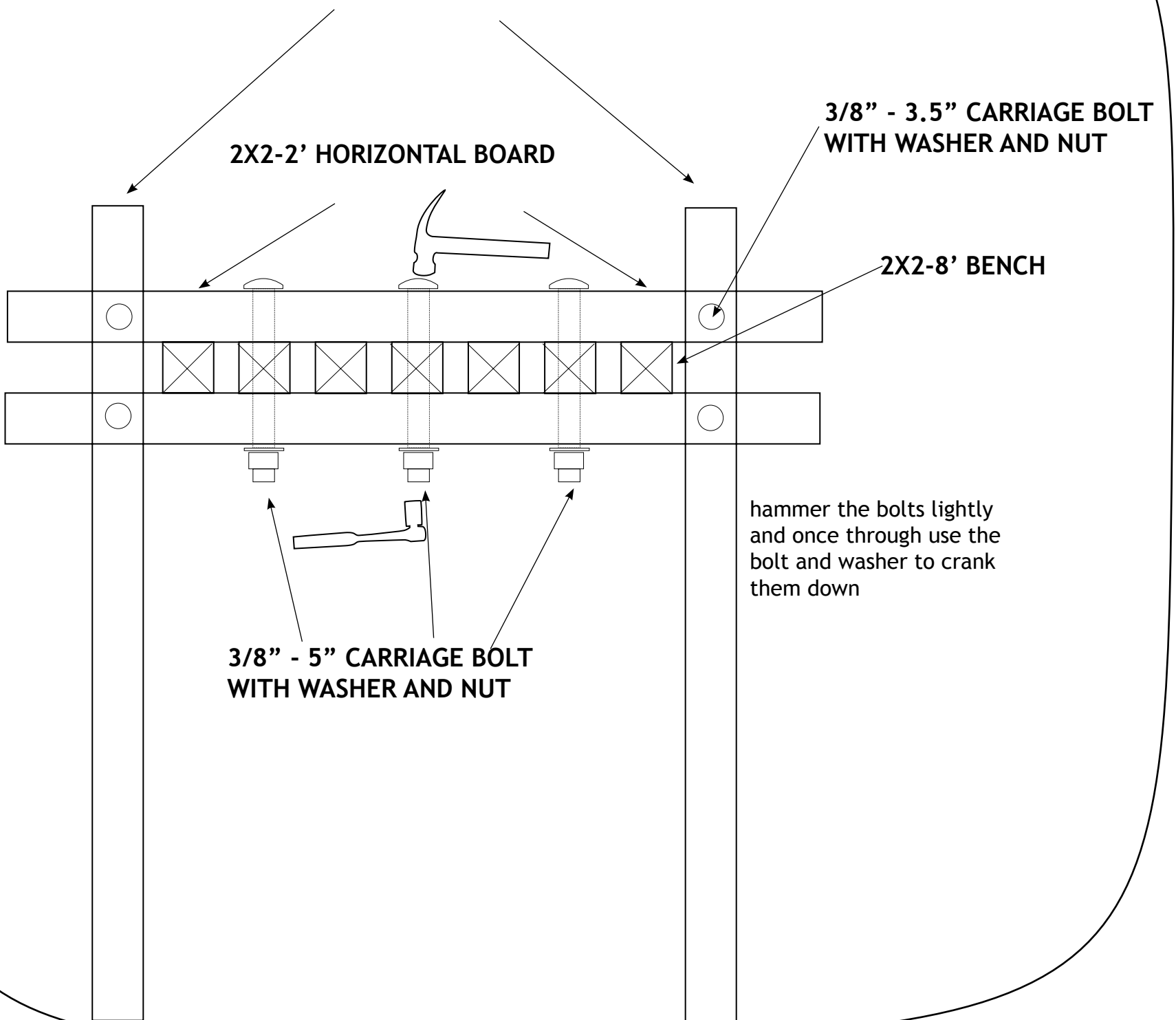
when attaching the bench
make sure to use two people
and give it a light shake

2x2-2' VERTICAL BOARD

2X2-2' HORIZONTAL BOARD

3/8" - 3.5" CARRIAGE BOLT
WITH WASHER AND NUT

2X2-8' BENCH

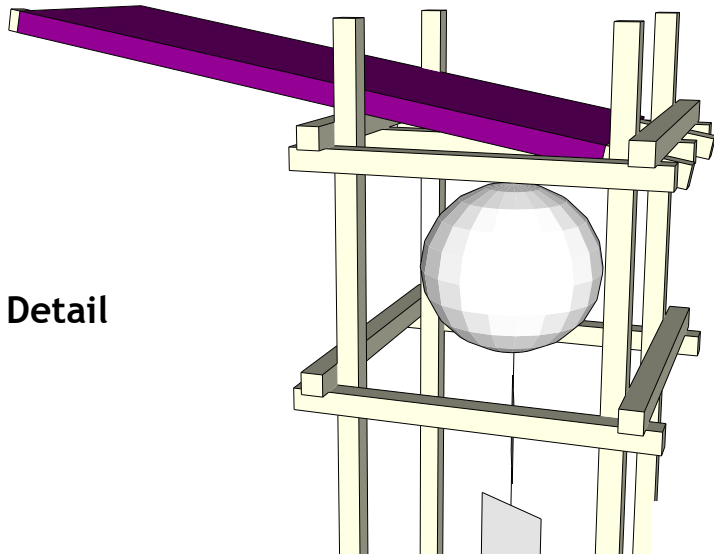


hammer the bolts lightly
and once through use the
bolt and washer to crank
them down

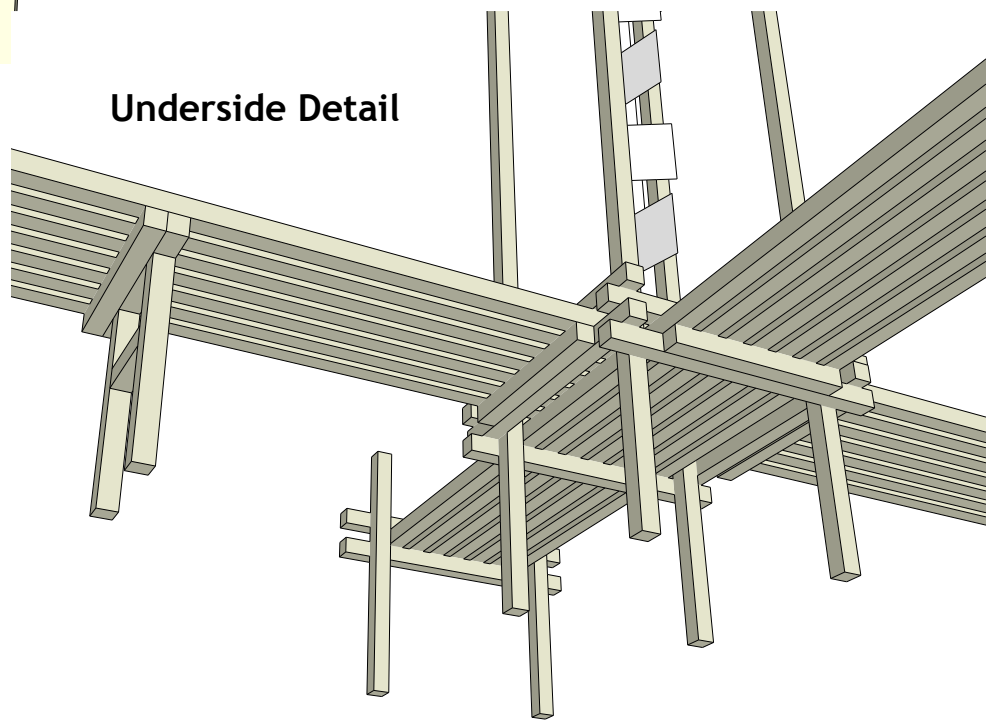
3/8" - 5" CARRIAGE BOLT
WITH WASHER AND NUT

4

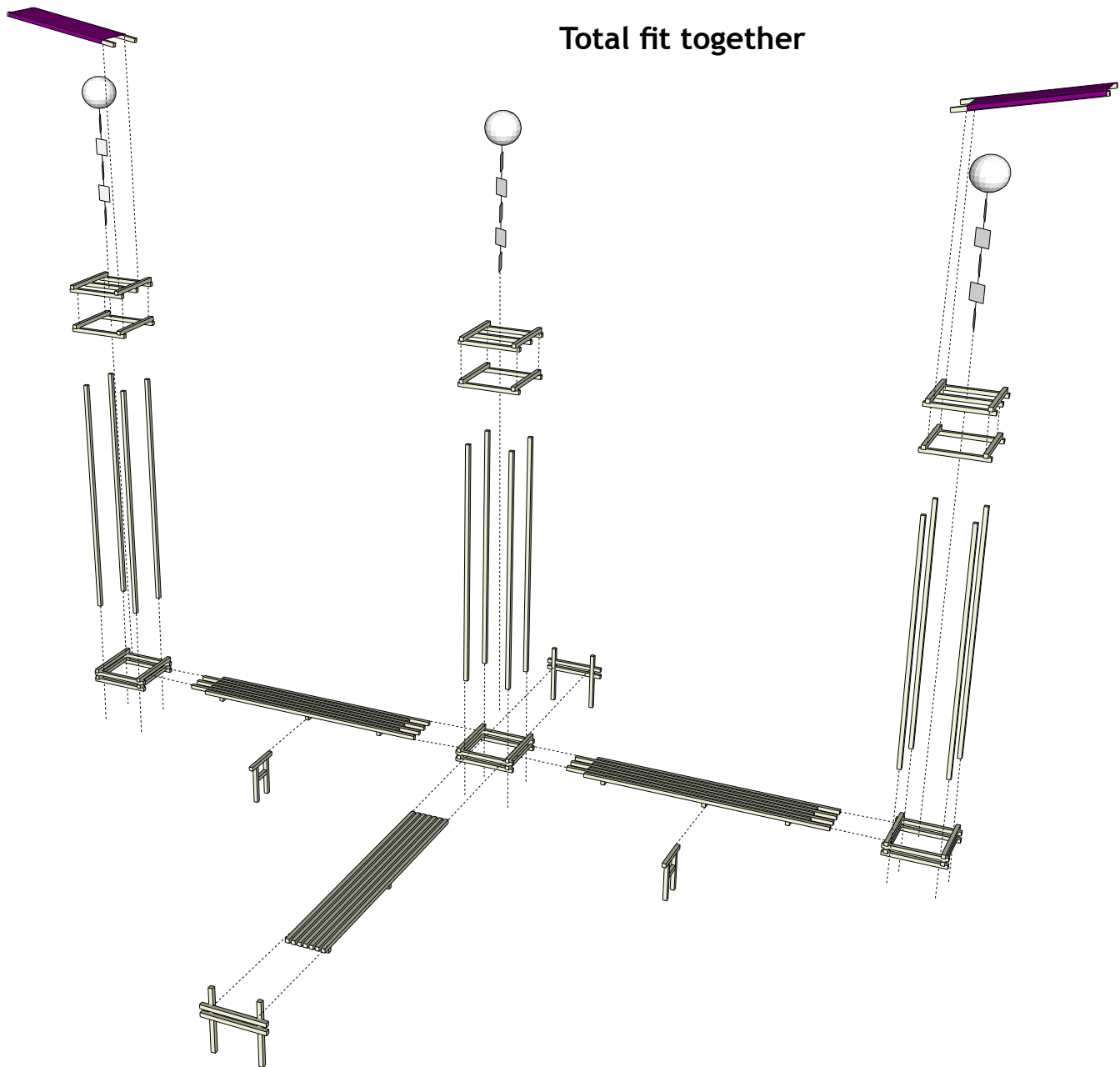
Top Detail



Underside Detail



Total fit together

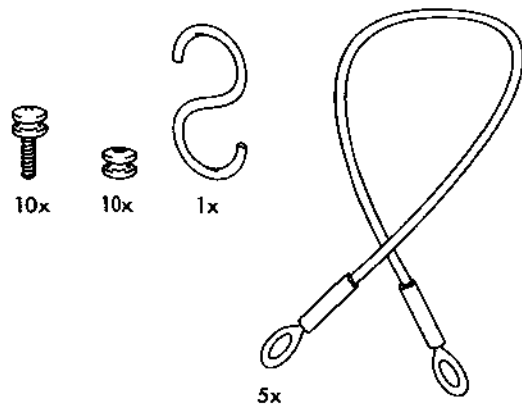
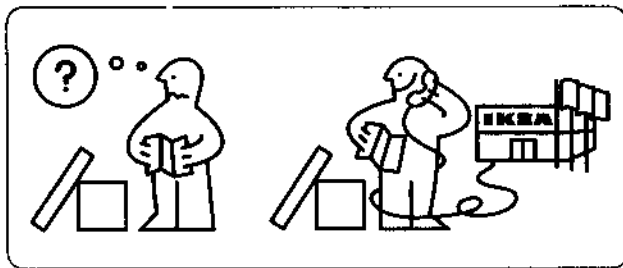


5a Tile Assembly

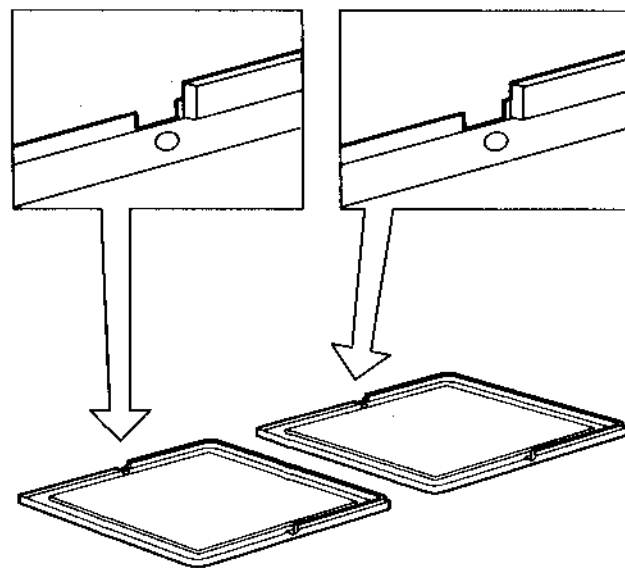
FINLIR FLADDRA



8 © Inter IKEA Systems B.V. 2005 15126 | AA 185207-1



1



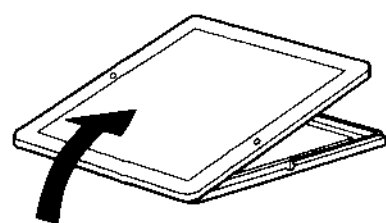
2

AA-185207-1

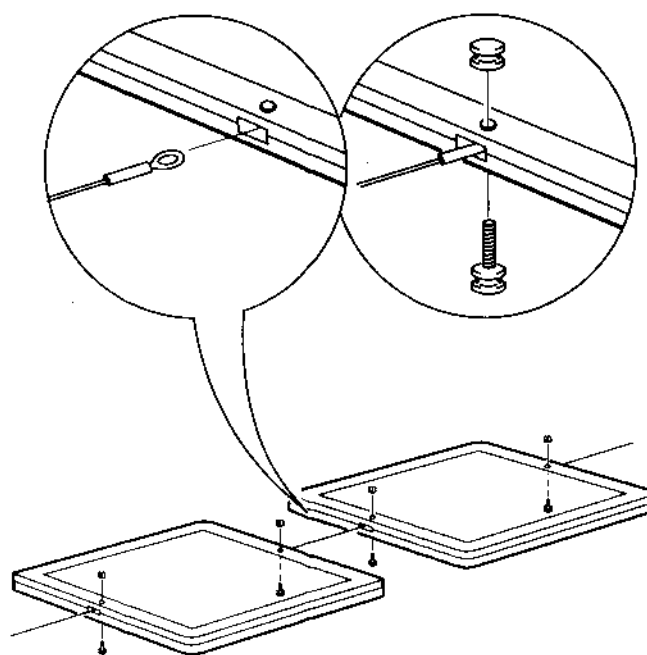
3

5b

2



3

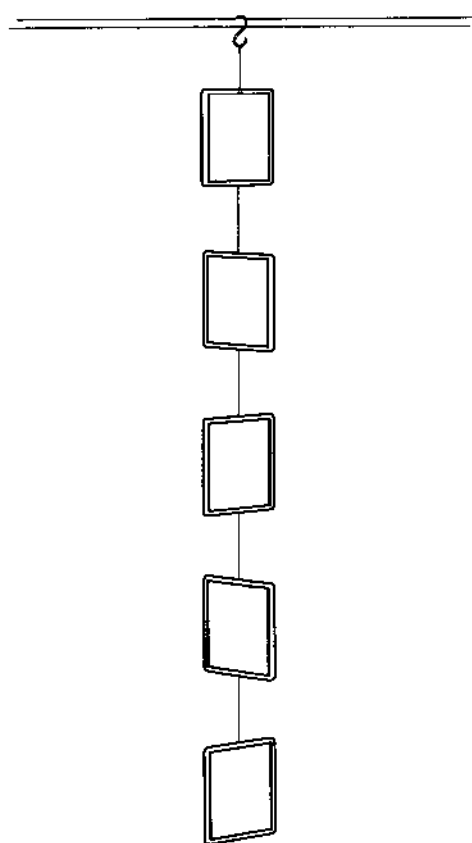


4

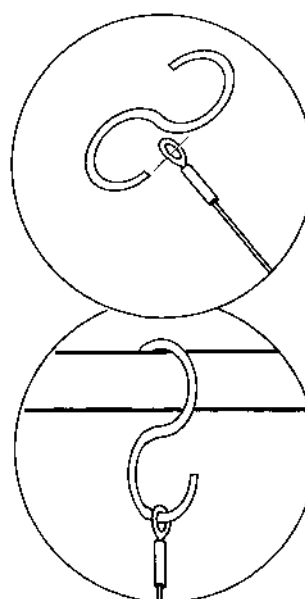
AA-185207-1

5

4



Hook onto bottom of
lamp here



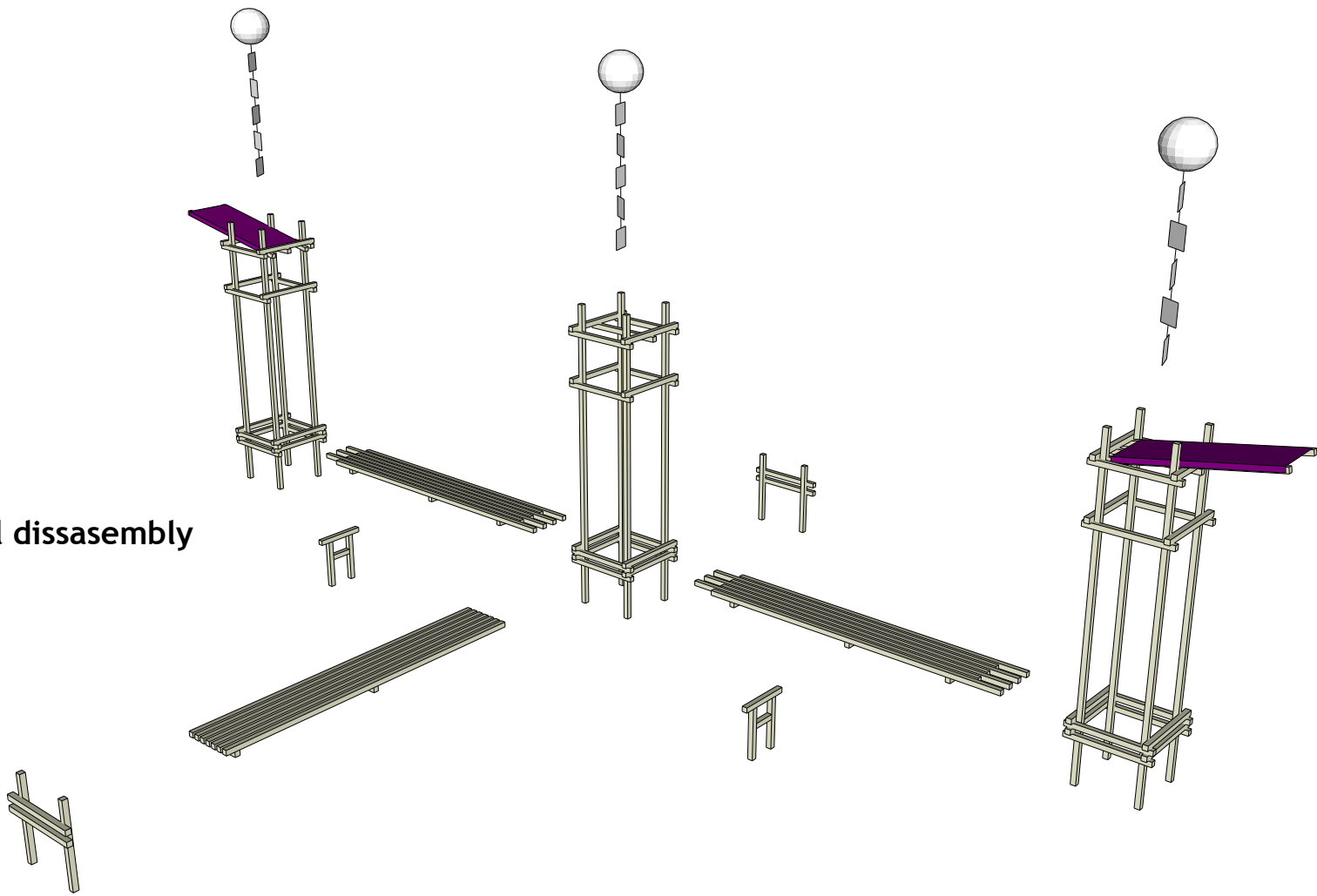
6

7

6

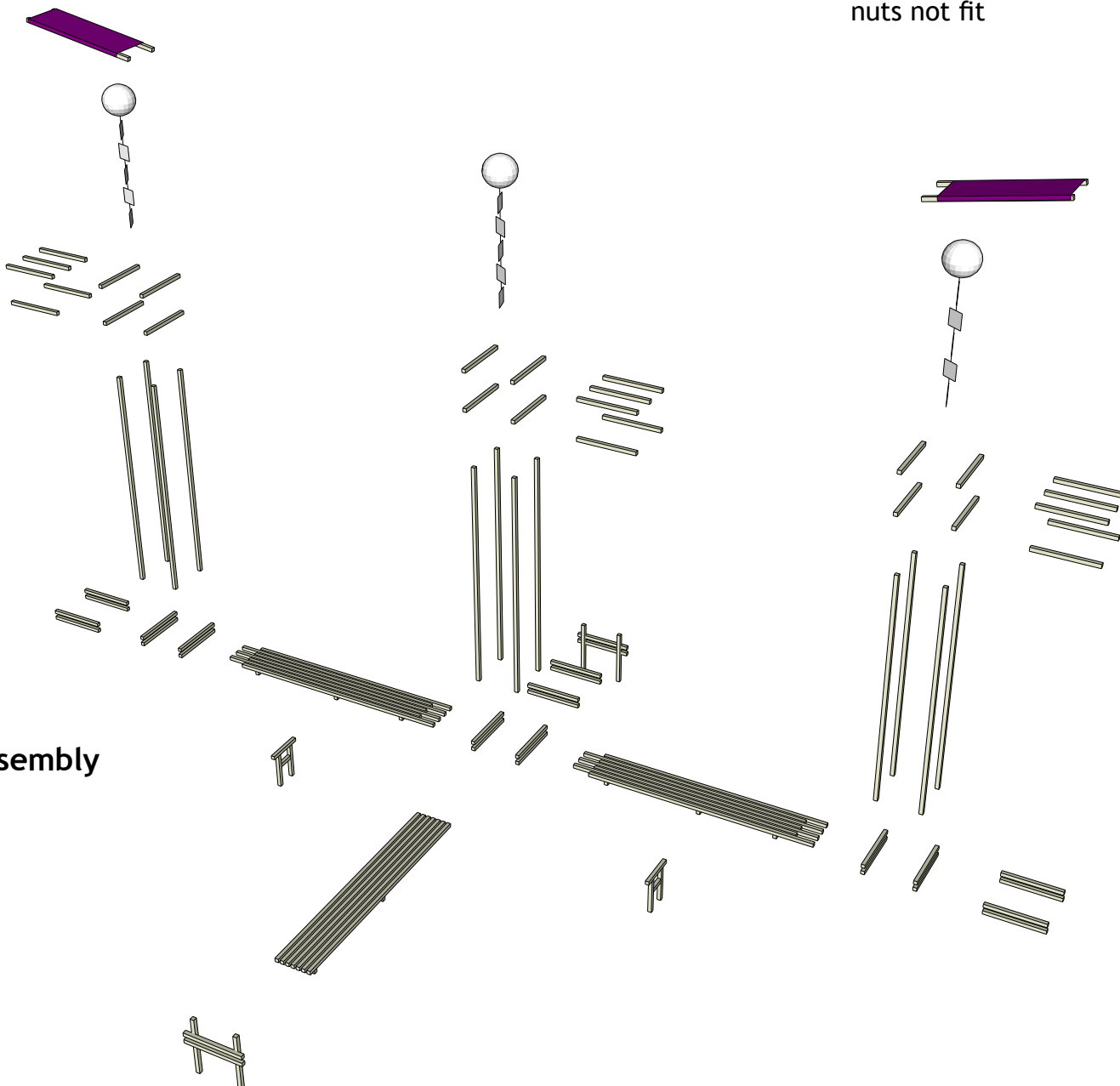
The towers can be disassembled for temporary storage, or fully disassembled for long term storage

partial disassembly



be careful not to hammer the thread end of the bolts this damages them and makes the nuts not fit

complete disassembly



Lumber & Bolts

Dunn Lumber

Address: 3801 Latona Ave NE

Phone Number: 206.632.2129

Website: www.dunnlum.com

Chemicals & Stains

Daly's

Address: 3525 Stone Way N

Phone Number: 206.233.4200

Website: www.dalyspaint.com

Lighting & Story Telling Component

IKEA

Address: 601 SW 41st St. Renton, WA

Phone Number: 425.656.2980

Website: www.ikea.com

Fabric

Seattle Fabrics

Address: 8702 Aurora Ave N

Phone Number: 206.525.0670

Website: www.seattlefabrics.com